

Push Model

Instruction Sheet



5' Push Model Wick Weeder

Parts Sheet

- 1 43" Main Frame
- 1 32" Hitch
- 1 Front Carrier
- 1 Handle
- 1 Part 2 of handle
- 2 3' wheel bracket
- 1 5' wick tube frame
- 2 uprights for wick tube frame

- 1 5' wick tube
- 2 moped wheels
- 1 pair of foam grips

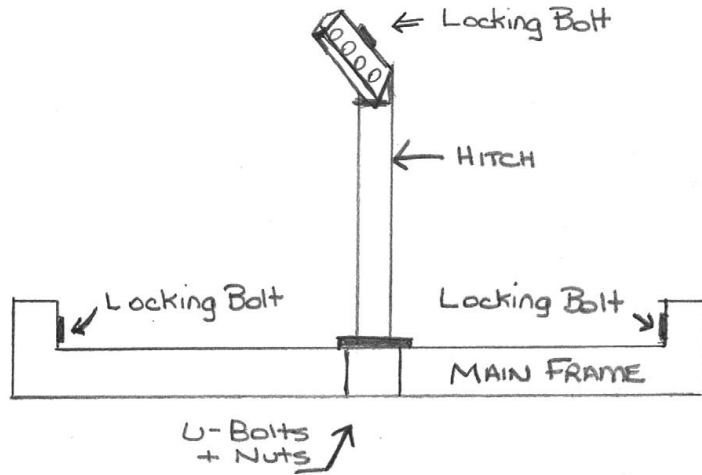
- 5 $\frac{3}{4}$ " Locking Bolts
- 1 pin
- 1 hair pin

- 2 $\frac{5}{8}$ x 6 Bolts
- 2 $\frac{5}{8}$ lock nuts
- 4 wheel bushings

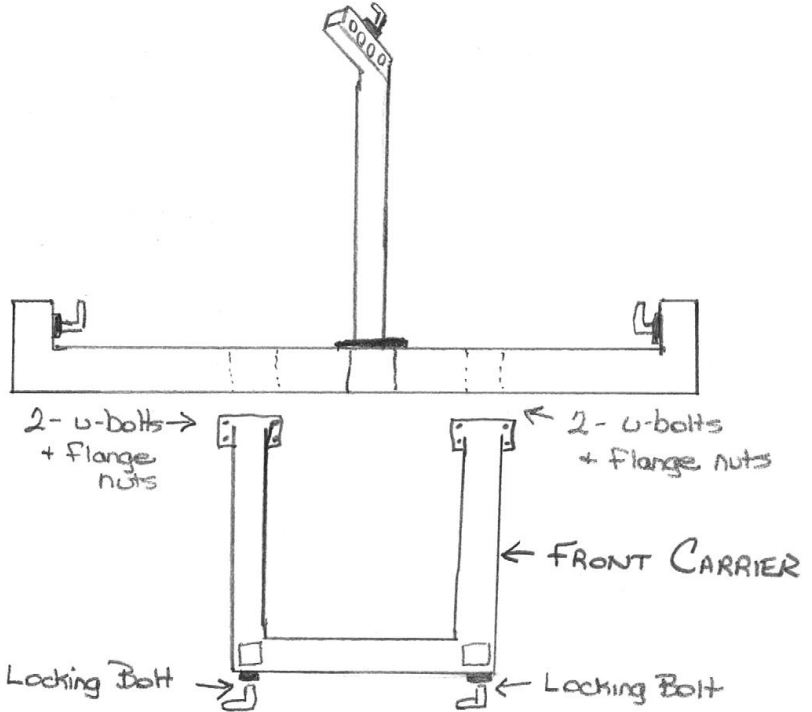
- 2 $\frac{1}{2}$ x 2 Bolts
- 2 $\frac{1}{2}$ " Lock nuts

- 2 3" round u-bolts
- 6 $1\frac{1}{2}$ " square u-bolts
- 2 $1\frac{1}{4}$ " square u-bolts
- 20 $\frac{3}{8}$ " flange nuts


 Locking Bolt

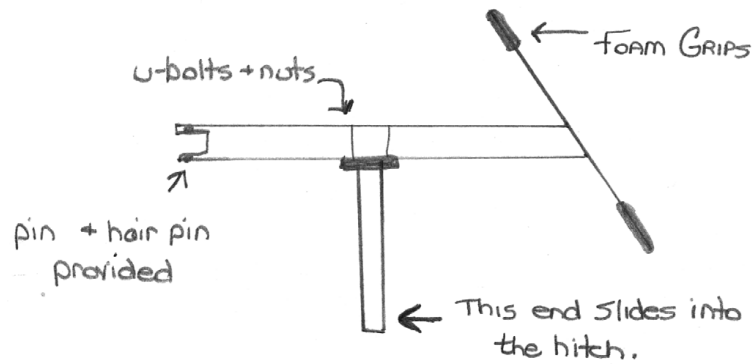


- #1. Use 2 - 1 1/2" square u-bolts and 4 - 3/8" flange nuts and fasten the hitch to the main frame. Make sure that it is fastened on in the center of the main frame. You can also put the 3 locking bolts into the nuts that are on the hitch and the main frame.

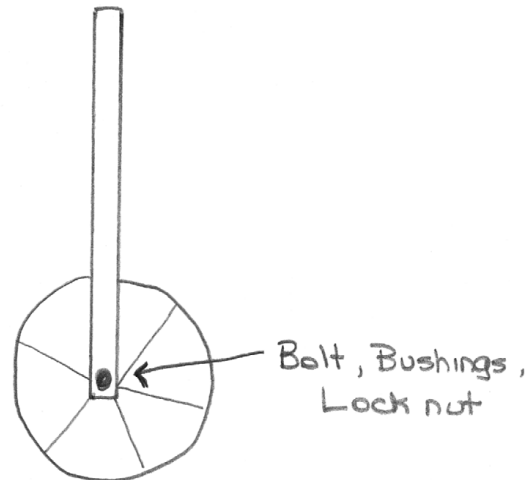


- #2. Use 4 - 1 1/2" square u-bolts and 4 - 3/8" flange nuts and fasten the front carrier to the main frame. You can also put the locking bolts into the front carrier.

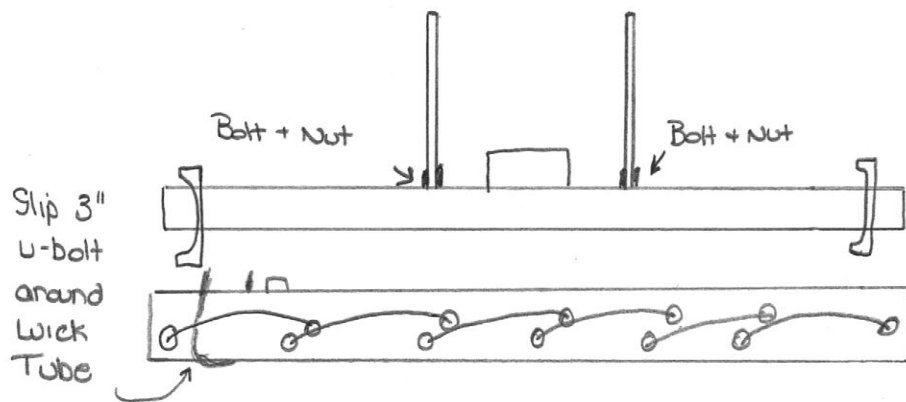
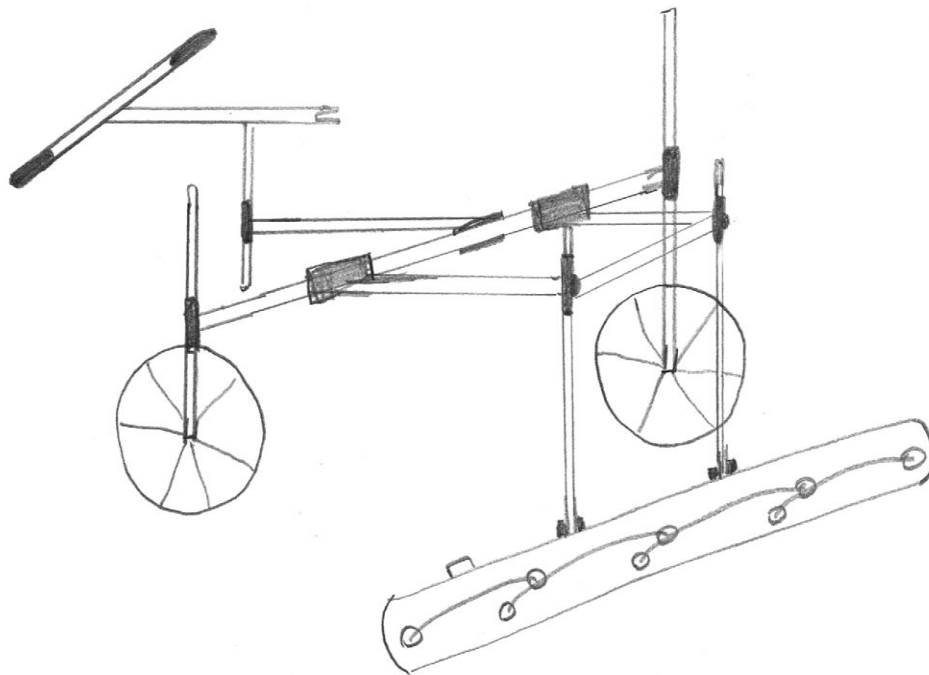

PIN +
hairpin



- #3. Take the two pieces for the handle and bolt them together with 2 - 1/4" u-bolts and 3/8" flange nuts. The handle then slides into the hitch. You must then secure it with the locking bolt.



- #4. Take the wheel and the 3' long piece of tubing and bolt together using the 5/8 x 6 bolt, 5/8" lock nut and the wheel bushings. They then slide into the main frame and you can then secure them with the locking bolts.



- #5. Fasten the two uprights onto the 5' wick main with 2 - ½ x 2 bolts and lock nuts.
- #6. These uprights slide into the front carrier and secure with the two locking bolts.
- #7. To fasten the wick tube on, use the 2 - 3" muffler clamp u-bolts and nuts.
The wicks face forward with the fill cap to the top.